

UP-AGM SERIES

UP-TF155-12



TELECOMMUNICATIONS AGM



PRODUCT CHARACTERISTICS

- Valve-regulated lead-acid battery
- Stationary and reserve power applications
- EUROBAT design life definition: Very Long Life 12+ years
- Extremely long float life performance
- Superior cycling endurance
- Compact design with high energy density
- ETSI Rack integration
- Low installation cost, maintenance free product
- Sealed for leak-proof operation
- Delivered ready for use
- Non-hazardous cargo for ground, sea and air transport
- Fully recyclable product

TECHNICAL SPECIFICATIONS

ELECTRICAL SPECIFICATIONS

Nominal Voltage	12V
Number of Cells	6
Rated Capacity	155Ah (10h rate to 1.80 Vpc at 20°C)
	154Ah (8h rate to 1.75 Vpc at 25°C)
Internal Resistance	4.20 mOhm (IEC 60 896 -21/22)
Short Circuit Current	3050A (IEC 60 896 -21/22)
Float Charge Voltage	2.27V per cell (Vpc) at 20°C



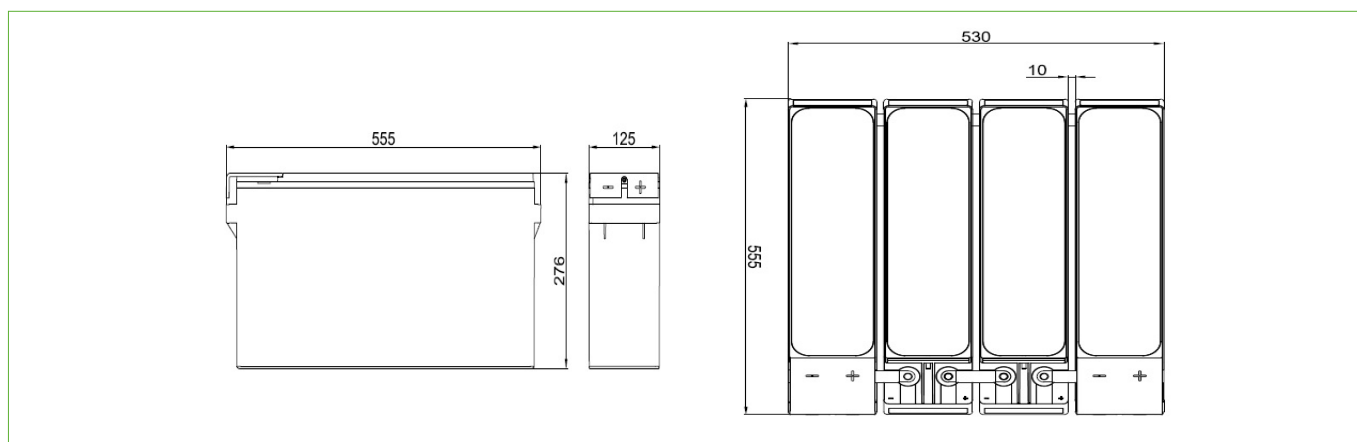
DESIGN FEATURES	
Design Life at 20°C	Very Long Life 12+ years
Plates	Tick Flat Pasted
Active Material	Very high purity virgin lead
Grid Alloy	Lead-Calcium-Tin alloy
Electrolyte	Sulphuric acid, Analytical grade
Separator	Absorbing Glass Mat (AGM)
Operating Temperature	-20°C to +60°C (maximum) +15°C to +25°C (recommended)
Venting Valve	Rubber, one way, self resealing - Opening pressure: 3 PSI - Resealing pressure: 2 PSI
Internal Gas Recombination Efficiency	More than 99%
Central Degassing System	Available
Flame Arrestor	Available
Storage Temperatures	-20°C to +40°C
Self Discharge	Less than 2.0% per month at 20°C
Storability Without Recharging	Up to 6 months at 20°C
Shelf Life	Up to 1 year
Container / Lid Material	Shock resistant ABS FR; flammability class UL94 V0
Terminal Position	Front
Terminal Sealing	Mechanical + epoxy double sealing
Terminal Type	Brass; Female; M8 thread
Terminal Torque	7 Nm
Terminal Cover	Available
Carrying Handles	Available (2)
Connectors and bolts	Supplied as standard

APPLICABLE STANDARDS
• IEC 60896 - 21/22 • EN 50272 - 2 • IEC 61427 - 1/2 • IEC 61056 - 1 • IEEE 1184 • IEEE 1187 / 1188
MANUFACTURE STANDARDS
• ISO 9001, ISO 14001, OHSAS 18001, AQAP 2110

PHYSICAL CHARACTERISTICS		
	SI Units	US Units
Length	555 mm	21.8 inches
Width	125 mm	4.9 inches
Height	276 mm	10.8 inches
Weight	51.3 kg	113.0 lbs



DRAWINGS



PERFORMANCE CHARACTERISTICS

BATTERY DISCHARGE PERFORMANCE AT 20°C

Battery capacity at constant current discharge (Ah) at 20°C

Uf, Vpc	5 min	15 min	30 min	1 h	2 h	3 h	4 h	5 h	6 h	8 h	10 h	20 h
1.60	33	56	80	97.3	113.3	124.5	132.5	138.9	143.7	153.3	159.7	170.8
1.65	32	56	80	96.9	112.8	124.0	131.9	138.3	143.1	152.5	158.9	169.9
1.70	32	55	79	96.4	112.2	123.4	131.3	137.5	142.3	151.7	158.1	169.1
1.75	31	55	78	95.5	111.1	122.1	129.9	136.2	140.9	150.4	156.6	167.4
1.80	31	54	78	94.6	110.1	120.9	128.7	134.9	139.5	148.8	155.0	165.9
1.85	30	53	76	92.2	107.3	117.8	125.6	131.4	136.1	145.1	151.1	161.7

Discharge performance at constant current discharge (A) at 20°C

Uf, Vpc	5 min	15 min	30 min	1 h	2 h	3 h	4 h	5 h	6 h	8 h	10 h	20 h
1.60	393	223	160	97.3	56.7	41.5	33.1	27.8	23.9	19.2	16.0	8.54
1.65	386	223	159	96.9	56.4	41.3	33.0	27.7	23.8	19.1	15.9	8.49
1.70	380	221	158	96.4	56.1	41.1	32.8	27.5	23.7	19.0	15.8	8.46
1.75	376	219	157	95.5	55.6	40.7	32.5	27.2	23.5	18.8	15.7	8.37
1.80	372	217	155	94.6	55.0	40.3	32.2	27.0	23.3	18.6	15.5	8.29
1.85	363	211	151	92.2	53.6	39.3	31.4	26.3	22.7	18.1	15.1	8.08

Discharge performance at constant power discharge (W per cell) at 20°C

Uf, Vpc	5 min	15 min	30 min	1 h	2 h	3 h	4 h	5 h	6 h	8 h	10 h	20 h
1.60	785	446	319	194.7	113.3	83.0	66.3	55.6	47.9	38.3	31.9	17.08
1.65	763	445	318	193.8	112.8	82.7	66.0	55.3	47.7	38.1	31.8	16.99
1.70	757	443	316	192.8	112.2	81.8	65.7	55.0	47.4	37.9	31.6	16.91
1.75	751	439	313	191.0	111.1	81.0	64.9	54.5	47.0	37.4	31.3	16.74
1.80	744	434	310	189.1	110.1	80.6	64.3	53.9	46.5	37.2	31.0	16.59
1.85	725	423	303	184.5	107.3	78.5	62.8	52.6	45.4	36.3	30.23	16.17

Temperature correction factor of capacity at constant current discharge

Discharge time	-10°C	0°C	10°C	15°C	20°C	25°C	30°C	35°C	40°C	45°C
From 5 to 59 minutes	0.70	0.80	0.90	0.95	1	1.05	1.10	1.13	1.15	1.16
From 1 to 20 hours	0.82	0.88	0.94	0.97	1	1.03	1.05	1.08	1.09	1.10



BATTERY CHARGE CONDITIONS AT 20°C

Charge regime: constant voltage and limited current (IU)

Charge current limit	Float charge voltage	Equalization charge voltage	Boost charge voltage
0.1 – 0.25C ₁₀ A Recommended: 0.20C ₁₀ A	2.27 V per cell at 20°C; Temperature correction: -3 mV / cell / °C	2.32 V per cell at 20°C Recommended: every 3 months for 24h during long time float operation	2.40 V per cell at 20°C -4 mV / cell / °C
Float application: 0.20C ₁₀ A / 2.27 V per cell at 20°C		Cycling applications: 0.20C ₁₀ A / 2.40 V per cell at 20°C; Recharge Ah input at least 105% from previous discharge Ah	

