

UP Series GC2TOP DEEP CYCLE SOLAR



Electrical Characteristics

Nominal Voltage (V)	6
C100 Rated Capacity (100h)	250 Ah
C5 Rated Capacity (5h)	185 Ah
Reserve Capacity @ 25A	444 min
Reserve Capacity @ 75A	115 min

Operational temperature range: -20°C to + 55°C (always keep the battery charged at least 60% at temperatures below 0°C)

Charging Instructions at 25°C

Daily Charge (V)	7.40 ± 0.05
Float Charge (V)	6.60
Equalize Charge (V)	7.70 ± 0.05

* Do not install or charge batteries in non-ventilated premises.
* The charging is of special importance because both over and under charging will severely limit the life of the batteries. If the batteries will stay for an extended period without being used please ensure they are routinely checked, cleaned and fully charged before being stored.

Mechanical Characteristics

	SI Units	US Units
Length	261 mm	10.28 inches
Width	181 mm	7.12 inches
Height	276 mm	10.87 inches
Weight	27.70 kg	61.10 lb

BCI Group Size	GC2
Cell Layout	0
Base Hold-Down	B0
Terminal Type	DT



Terminal height:
18.5 mm - 0.73 inches

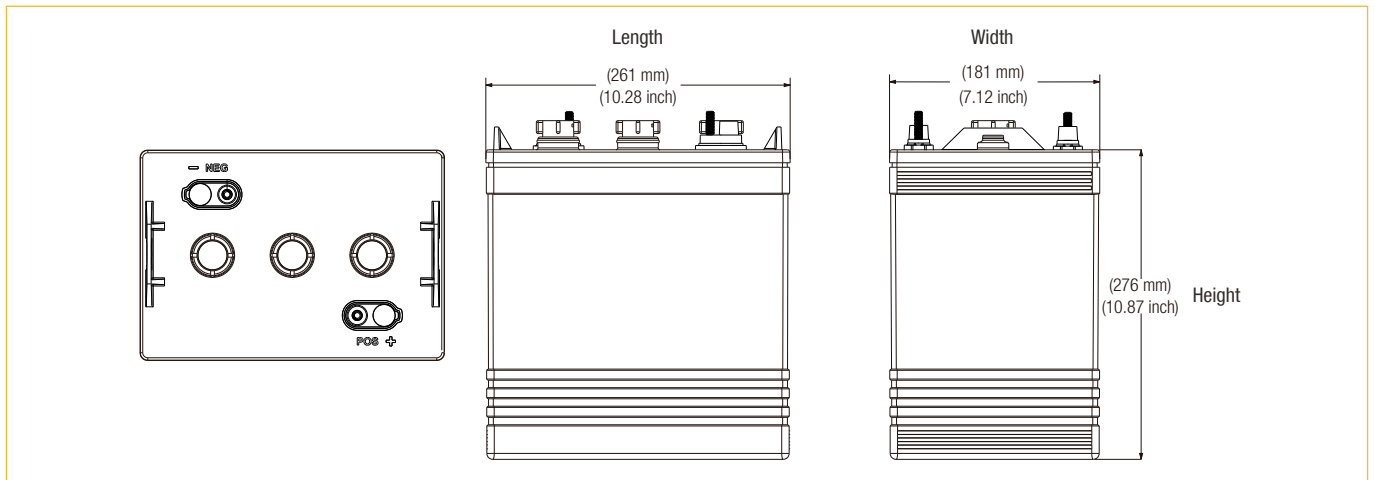
Bolt size: 5/16

Battery Temperature Adjustment

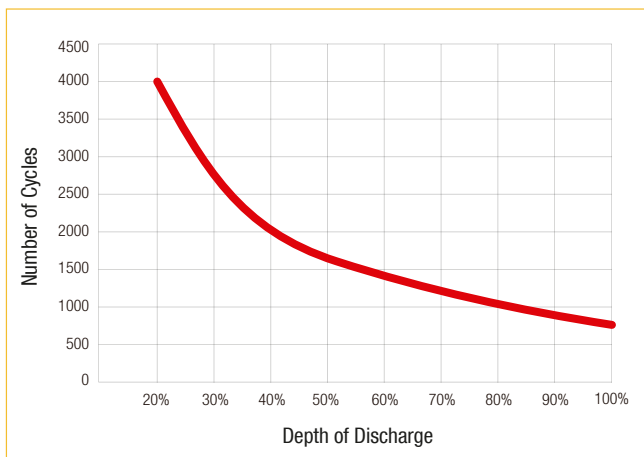
- Reduce the voltage by 0.028V per cell for every 10°C above 25°C, increase the voltage by 0.028V per cell for every 10°C below 25°C.
- Deep cycle batteries need to be equalized periodically.
- Actively used batteries should be equalized at least twice per year.



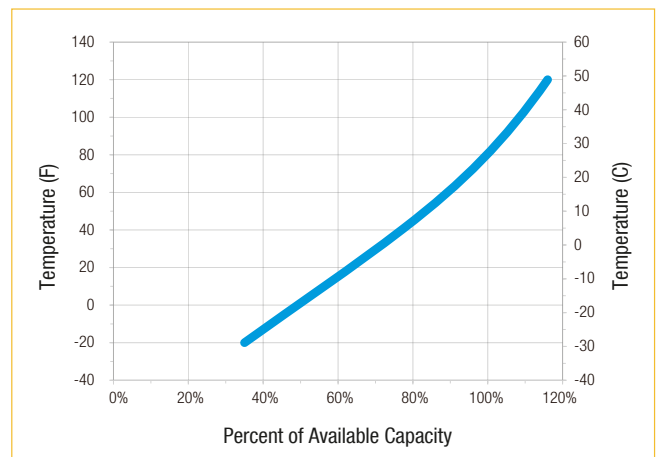
Battery Dimensions



Typical Cycle Life in a Stationary Application



Percent Capacity Vs. Temperature



Performance

