

# UP Series G100-12

GENERAL PURPOSE GEL



## Main Features

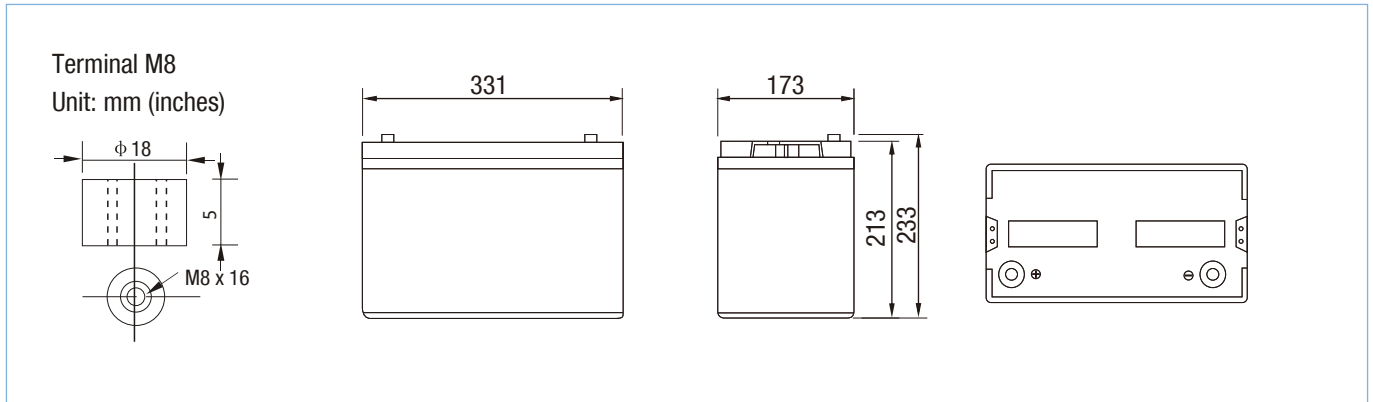
- Longer Design Life**  
 Designed for 12 years of service life at 25°C.
- Uniform Electrolyte Distribution**  
 Using high quality silica (silicon dioxide) we obtain a uniform electrolyte distribution for a better performance.

## Technical Specifications

Nominal Voltage (V)	12	
Rated Capacity (10 hour rate)	100 Ah	
Dimensions	Length:	331 mm (13.0 inches)
	Width:	173 mm (6.81 inches)
	Height:	213 mm (8.39 inches)
	Total Height:	233 mm (9.17 inches)
Weight Approx.	29.2 Kg (64.2 lbs)	
Capacity 25°C (77°C)	10 hour rate (10.0 A)	100 Ah
	5 hour rate (16.0 A)	80.0 Ah
	1 hour rate (60.0 A)	60.0 Ah
	1.5 hour discharge to 10.5 V	40.0 A
Internal Resistance	Full charged Battery at 25°C (77°C)	6.5 mΩ
	40°C (104°C)	102%
Capacity Affected by Temperature (20 hour rate)	25°C (77°C)	100%
	0°C (32°C)	85%
	-15°C (5°C)	65%
Self-Discharge at 25°C (77°C)	Capacity after 3 month storage	91%
	Capacity after 6 month storage	82%
	Capacity after 12 month storage	64%
Terminal	M8	
Charge (Constant Voltage)	Cycle	Initial Charging Current less than 25.0 A Voltage 14.40 - 14.80 V
	Float	Voltage 13.50 - 13.80 V
Design Life	10 Years	



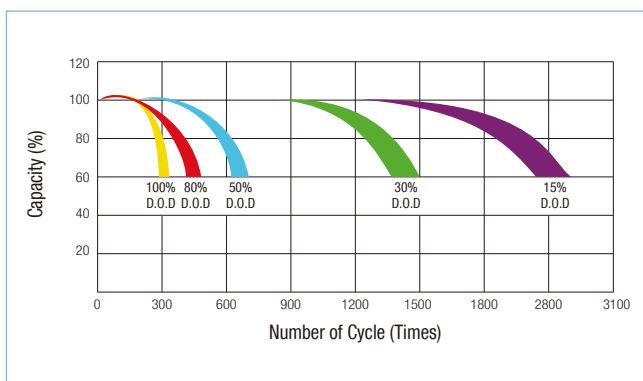
## Battery Dimensions



## Battery Discharge Tables

Constant Current (Amp) and Constant Power (Watt) Discharge Table at 25°C (77°C)											
Time		10min	30min	1h	2h	3h	4h	5h	8h	10h	20h
9.60V	A	198.0	109.0	59.5	34.6	25.8	20.0	16.5	11.6	11.0	5.7
	W	2099	1161	637	374	281	220	182.0	128.6	122.1	63.8
10.20V	A	188.0	108.0	56.0	33.0	25.0	19.5	16.2	11.4	10.4	5.6
	W	2068	1193	622	370	283	221	184	129	117	64
10.50V	A	178.0	101.0	54.5	32.2	24.4	19.2	16.0	11.3	10.2	5.5
	W	1994	1136	616	367	279	221	184	129	117	64
10.80V	A	168.0	93.0	52.5	31.4	23.8	18.9	15.6	11.0	10.0	5.5
	W	1907	1060	601	363	276	220	182	128	117	64
11.10V	A	158.0	83.0	49.5	30.6	23.0	18.3	15.2	10.7	9.8	5.4
	W	1817	959	574	358	270	216	179	126	115	64

## Curves of Cycle Life (25°C)



## Discharge Curves 25°C (77°C)

