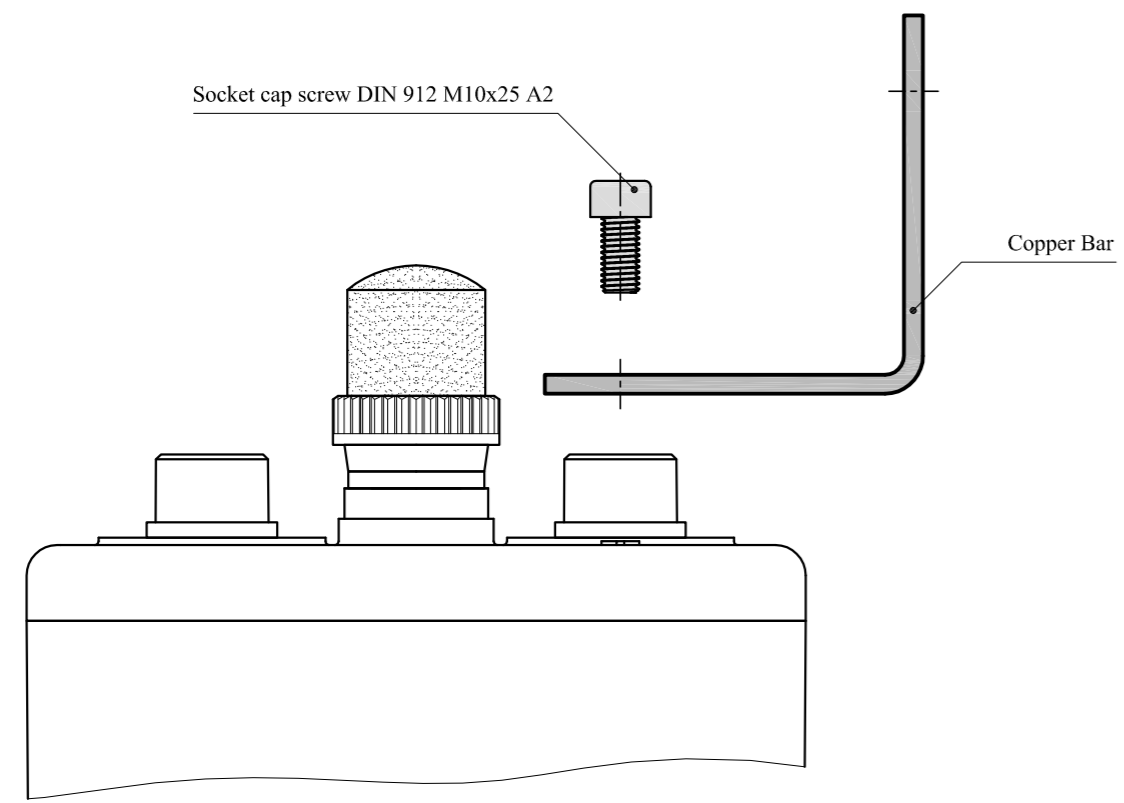
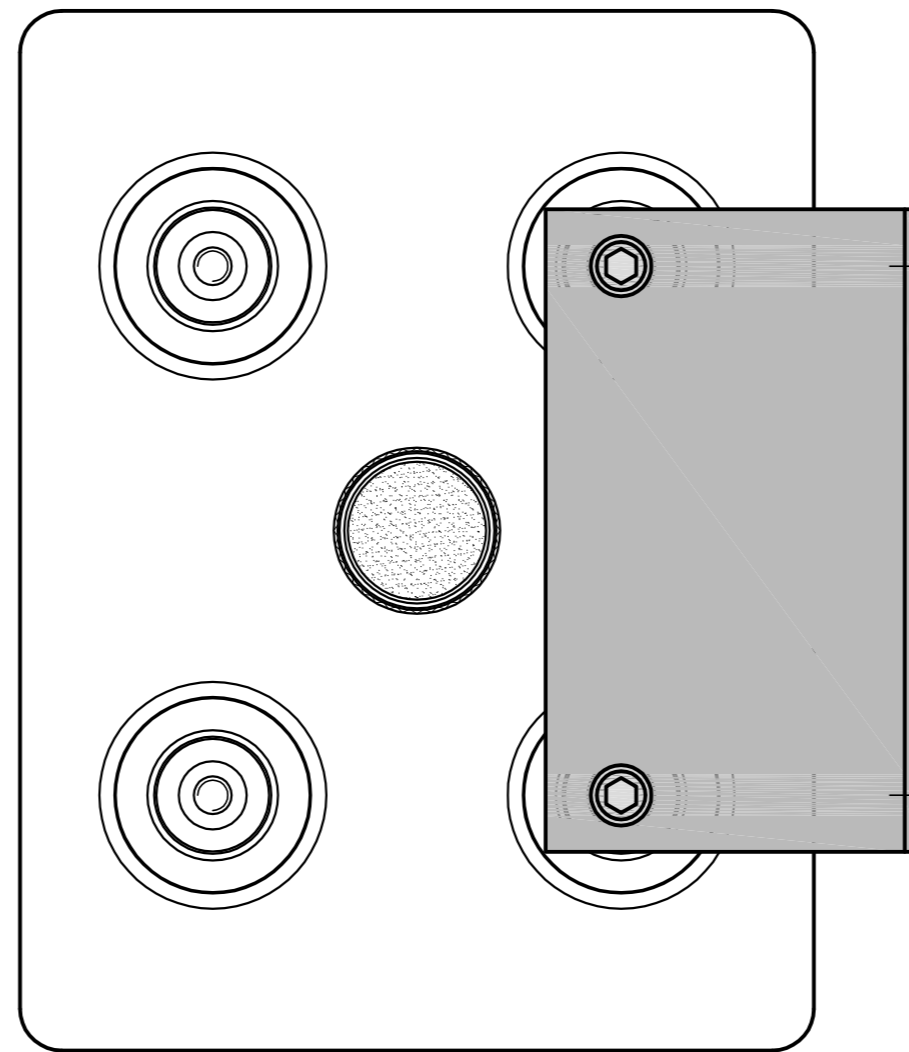


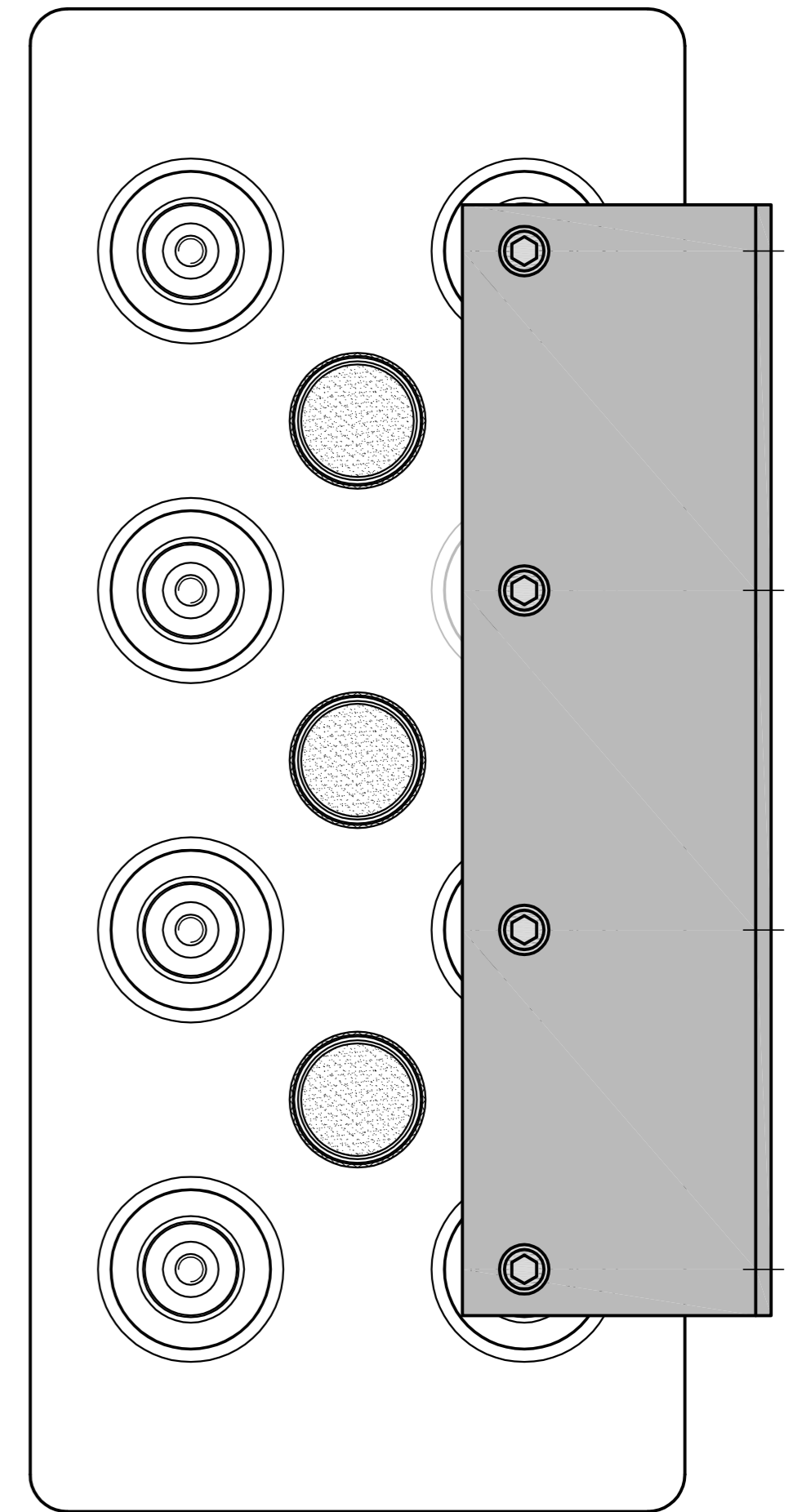
Connection with copper bar



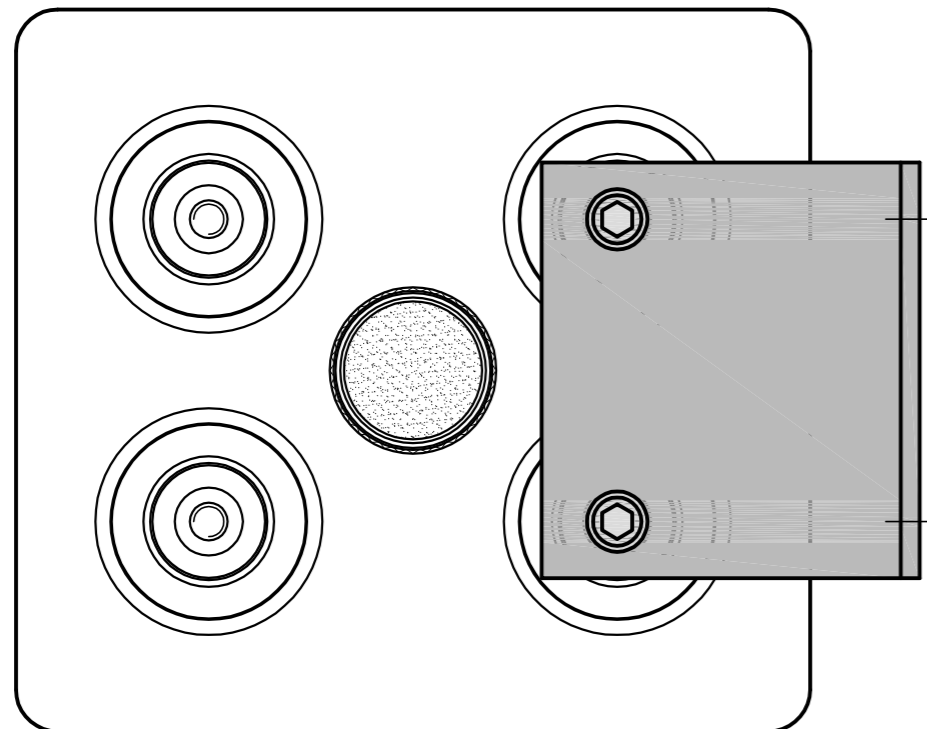
11-12 OPzS & OPzV



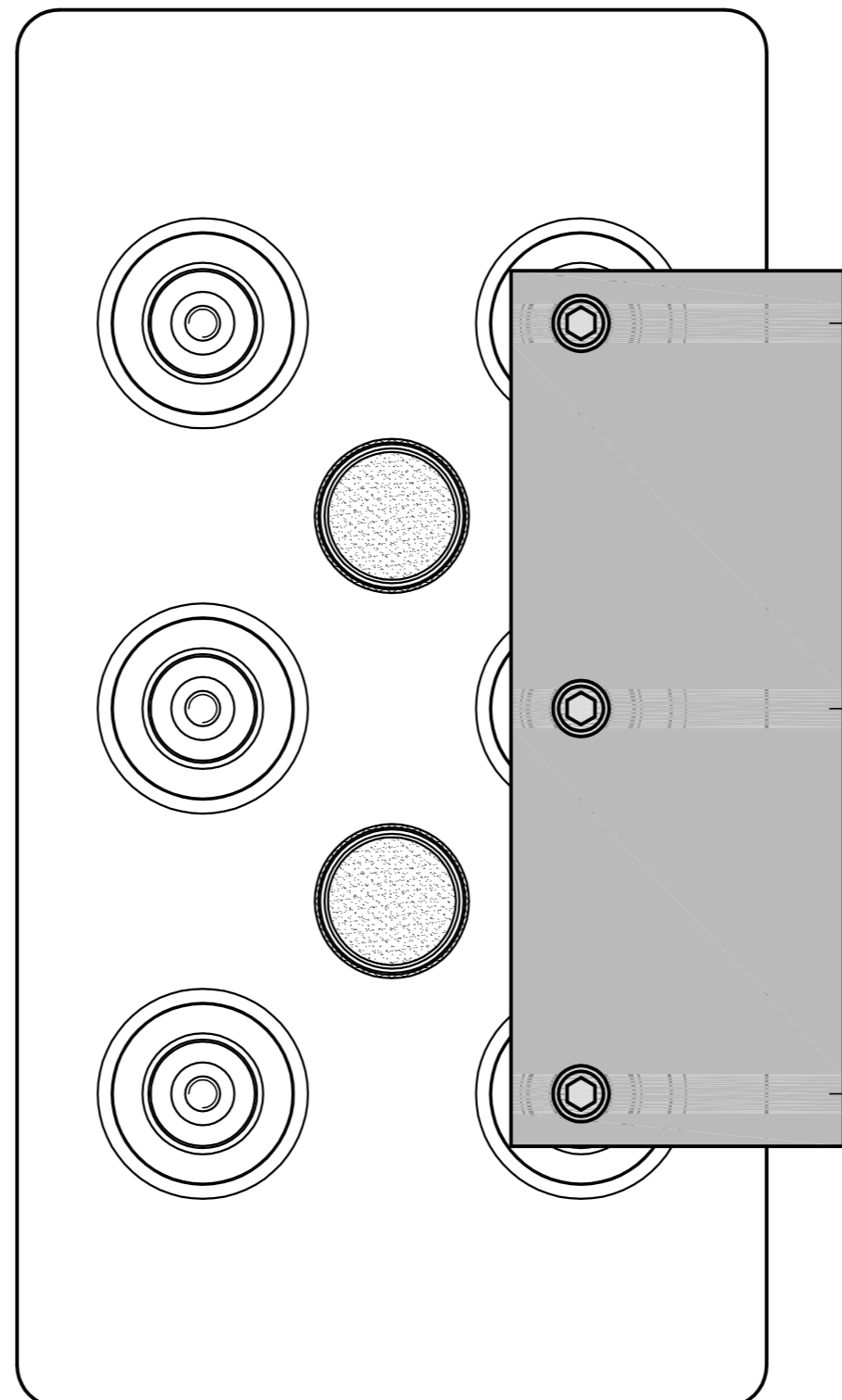
18-20 OPzS & OPzV



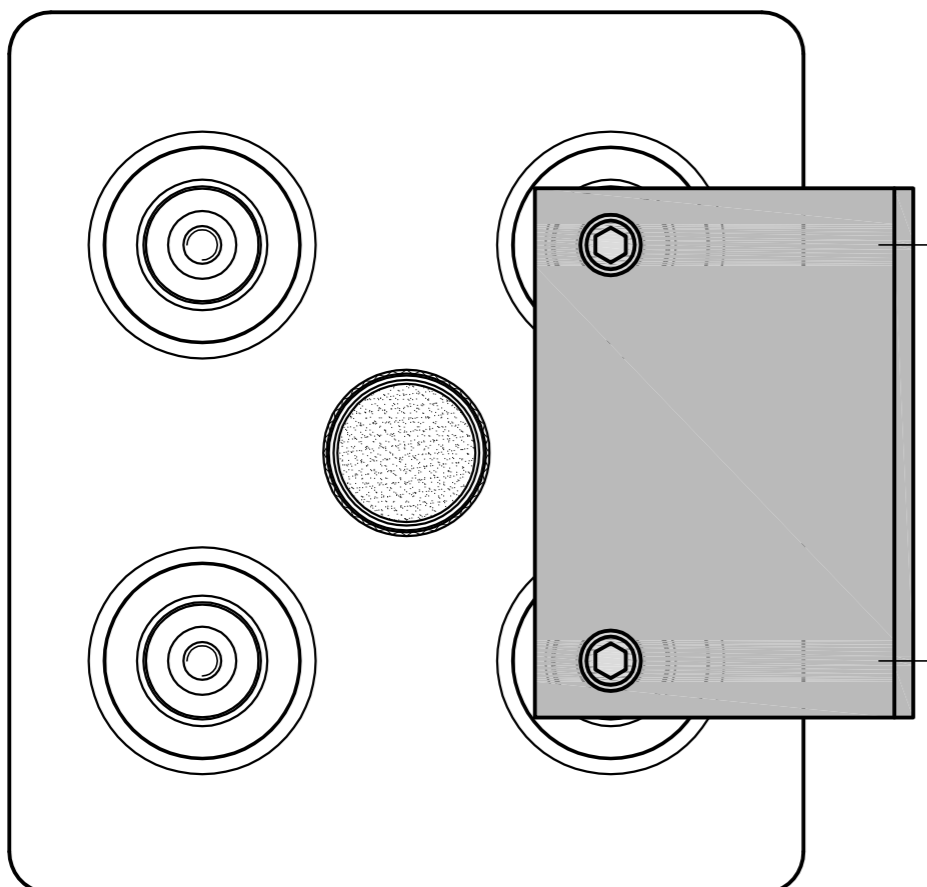
7-700 - 8 OPzS & OPzV



14-15-16 OPzS & OPzV



9-900 - 10 OPzS & OPzV



LEAD - ACID batteries dept. Industrial cells section Stand by Batteries		Tolerance acc. ISO 2768 m		Scale: 1:2	Weight: kg
				Material:	
		2012	Date	Name	Title: Terminal connections with copper bars for OPzS & OPzV
		Drawn	03.07	scha	
		Appvd	03.07	skan	
				Code	Drawing Nr.
				U power <small>Unlimited power</small>	
Rev.	Changing	Date	Name	CAGE CODE G0941	Repl. by: